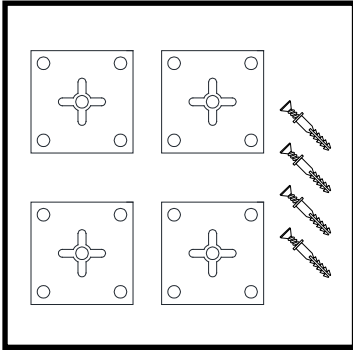
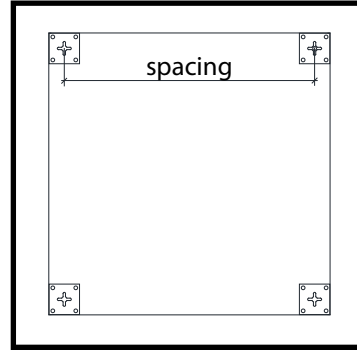


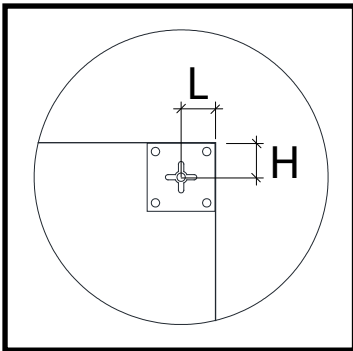
| ABSTRACT | ADDSORB | ARCHTRAP | BASSLAYER | CERAFLECTOR | CONVEXABSORBER | DIAMOND | DYNAMIC-FLOW | EBONY | EFFECTFUSER | LEAKY FM | LIGHTWALLTRAP | LOWNOTE W | MELLOWALLTRAP | NEO 3Q | NEO 6Q | PLURA | RIPPLE | SQUARYDIFFUSOR | TUNEFLECTOR | TWO FX | WALLTRAP | WOODFOIL | WOODFOIL AB |



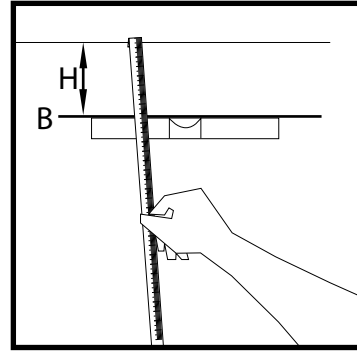
Accessories' kit; the product is supplied with mounting accessories.



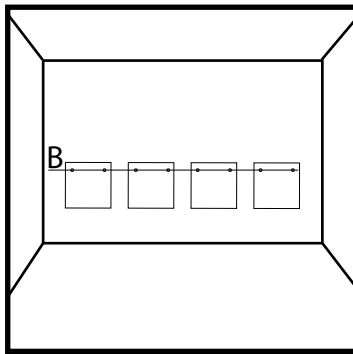
Locate the metal brackets on the back of the panel and measure and take note of each "spacing".



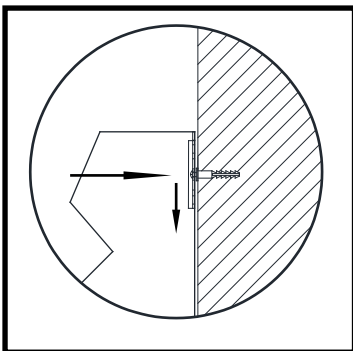
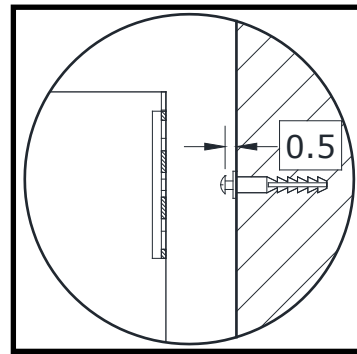
Measure "L" and "H" distance on the back of the panels on both sides.



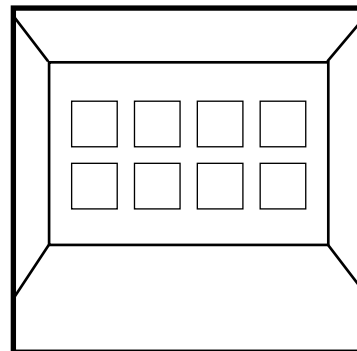
Measure the placement of the panel using a tape measure, a pencil, a ruler and a level. From the top panel line, measure and orthogonally mark the "H" distance.



With a level define the "B" line, then mark on it the measured spacing, and two suspension points per panel on the wall. After verifying all measurements, drill 2 holes on the wall per panel, install both sleeves and 2 screws. Leave the tip of the screws approx. 5 mm from the wall.



Slide the panel so the center back cavity on the metal plate enter the 2 screws and gently slide it down.

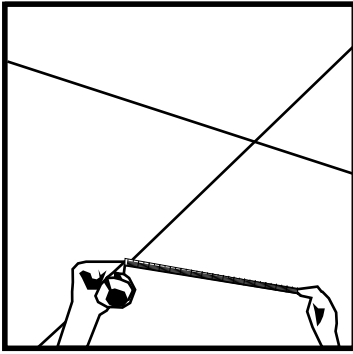


First mark and install the bottom row of panels.

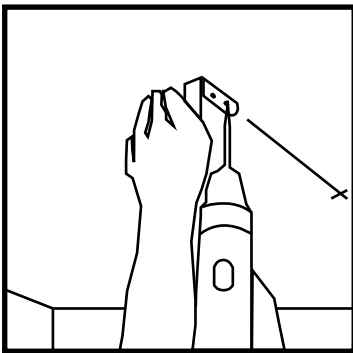
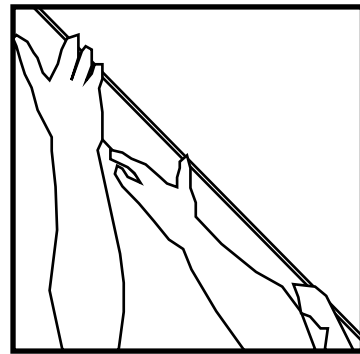
Secondly mark and install the top row of panels.



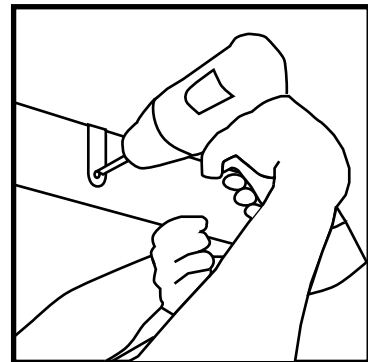
| ADDSORB | BASSLAYER | CERAFLECTOR | CONVEXABSORBER | DIAMOND | DYNAMICFLOW | EBONY | EFFECTFUSER | LEAKY FM | LIGHTWALLTRAP | LOWNOTE W | MELLOWALLTRAP | NEO 3Q | NEO 6Q | PLURA | RIPPLE | TUNEFLECTOR | WOODFOIL | WOODIFFUSOR |



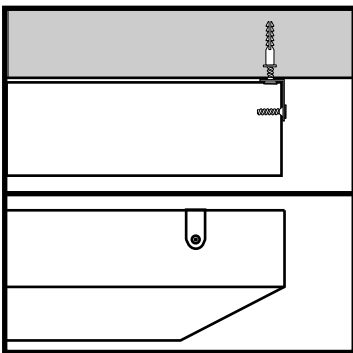
To determine the placement of the panel use a marker, a measuring tape and a ruler to mark the needed 4 points per panel on the ceiling. Placement aprox. 15cm from the vertices of the panel. Make 4 drilling points on the ceiling and insert the sleeves in the ceiling.



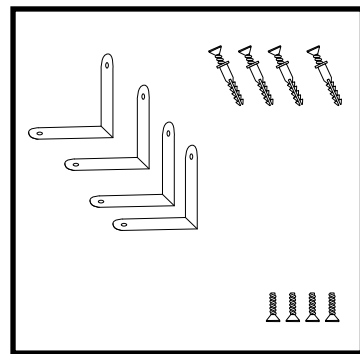
Use a screwdriver to attach the 4 mounting L-shaped metallic accessories to the ceiling. Fit the panel between the L-shaped metallic accessories and screw them to the sides of the panel.



You will achieve this result, seen from side view

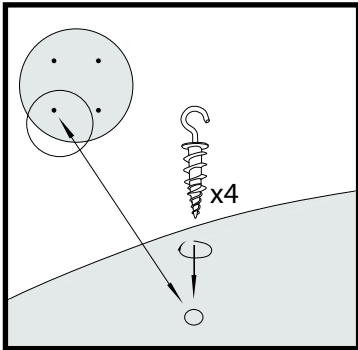


Accessories' kit; the product is supplied with the necessary accessories.

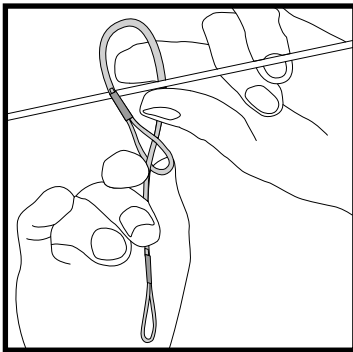
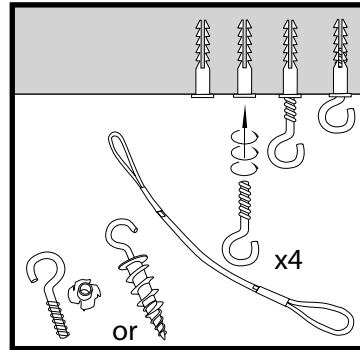


| BASMEL | COOKIE | LIGHTWALLTRAP | MELLOWALLTRAP | WALLTRAP |

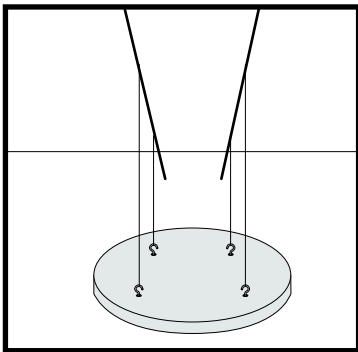
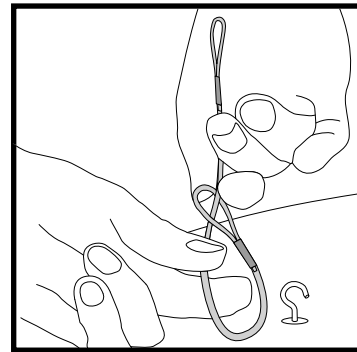
Read instructions in full prior to install and then choose one of these two mounting methods and apply it: Ceiling installation method can either be with horizontal suspension cables (left) installed on the walls; or suspension method directly from the ceiling using metallic hooks and wires (right);



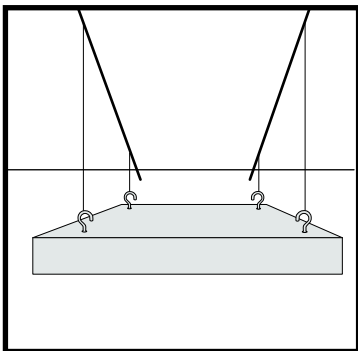
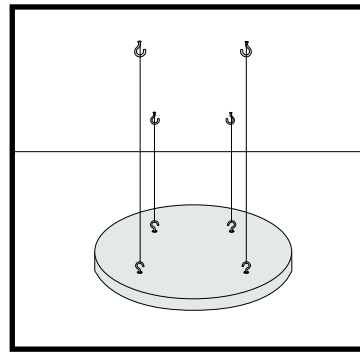
Accessories' kit; the product is supplied with the necessary accessories. Optionally suspension wires on the right are sold separately and can be made available upon demand. On the back of the panel, locate the mounting hooks.



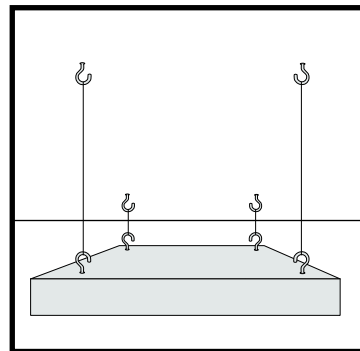
Measure the ceiling and mark it as needed to best fit its area.
1st method: install suspension cables to the wall;
2nd method: install ceiling sleeves for the suspension metal hooks, use four (4) suspension points per panel, do ensure their robust fixation prior to panel suspension.

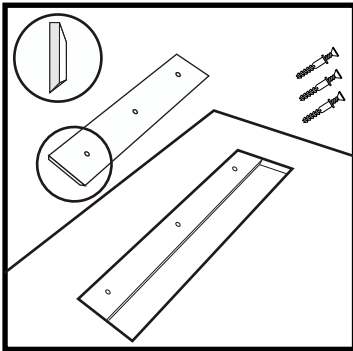


For panels with lights prepare ahead electrical connections .
1st method: From the horizontal wires install vertical suspension wires;
or
2nd method: Suspend the wires to ceiling metallic hooks.



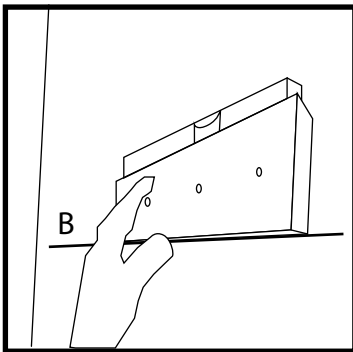
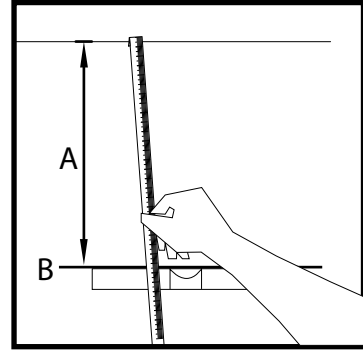
Depending on the size of the panel 1 or 2 persons can be required to suspend it. Always ensure clean and gently handling as panel finishings can be fragile. Secure the wires to the hooks on the panel to suspend it.





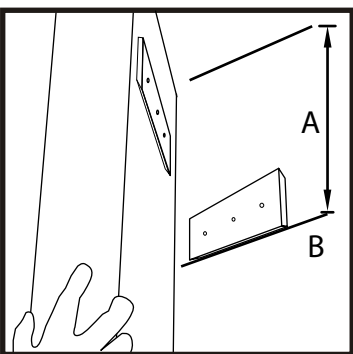
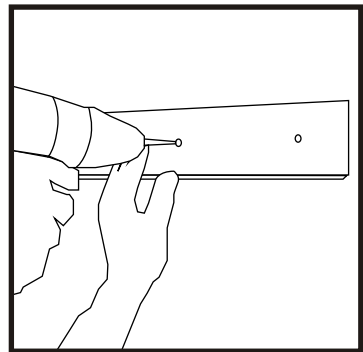
Accessories' kit; the product is supplied with the necessary accessories.

Measure the placement of the panel using a tape measure, a pencil, a ruler and a level bubble. From the top panel line, measure and orthogonally mark the "A" distance. With a level define the "B" line.



Center the accessory on the wall inserting a pencil through the wooden accessory's holes to mark the needed points on the wall.

Drill the holes on the wall. Insert the nylon plugs in wall and attach the accessory with a screwdriver



Then fit the panel into the mounting accessory.

